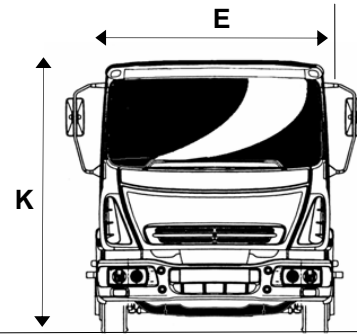
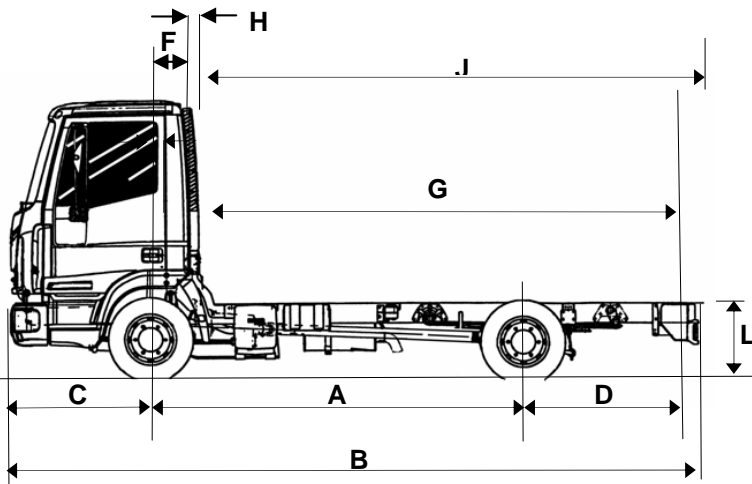


# IVECO



## EUROCARGO

### 75E18S 4x2 Rigid



PLATED/DESIGN WEIGHTS (kg)		GVW	GTW	Front Axle	Rear Axle		
Plated weights		7500	11000	3200	5200		
Design weights		7500	11000	3600	5200		
A GTW of 16500kgs is permissible provided that the 6-speed gearbox and a drawbar pack are specified. For front axle capacity upgrade – see Options Guide.							
KERBWEIGHTS (kg) Day Cab		3105	3330	3690	4185	4455	4815
Front		2180	2190	2185	2185	2190	2215
Rear		775	790	810	840	845	875
Total		2955	2980	2995	3025	3035	3090
MAXIMUM BODY/ PAYLOAD (kg) Day cab		4545	4520	4505	4475	4465	4410
DIMENSIONS (mm)							
A	Wheelbase	3105	3330	3690	4185	4455	4815
B	Overall length (over bumpers)	5780	6522	6882	7692	8097	8682
	day sleeper	N/A	N/A	6882	7692	8097	8682
C	Front overhang	1262	1262	1262	1262	1262	1262
D	Rear overhang	1313	1830	1830	2145	2280	2505
	day sleeper	N/A	N/A	1830	2145	2280	2505
E	Cab width (over wings)	2140	2140	2140	2140	2140	2140
F	C/line f/axle to back of cab equip	355	355	355	355	355	355
	day sleeper	N/A	N/A	935	935	935	935
G	Back of cab to end of frame	4063	4805	5165	5975	6380	6965
	day sleeper	N/A	N/A	4585	5395	5800	6385
H	Cab gap	120	120	120	120	120	120
	day sleeper	N/A	N/A	120	120	120	120
J	Recommended bodylength	4200	4800	5400	6200	6600	7200
	day sleeper	N/A	N/A	4500	5400	5900	6600
K	Cab height (unladen)	2549	2548	2548	2547	2548	2547
L	Frame height	894	894	894	894	894	894
	Frame thickness	4	4	4	4	4	5
	Turning circle (wall to wall)	12400	13000	14100	15600	16500	17500
TYRES & WHEELS		Tyre Size		Tread		Wheels	
		Front	Rear	Front	Rear	Front	Rear
Standard		205/75R17.5	205/75R17.5	On Road	On Road	17.5x6.00	17.5x6.00
Option		9.5R17.5	9.5R17.5	On/Off	On/Off	17.5x6.00	17.5x6.00
		225/75R17.5	225/75R17.5	On Road	Traction	17.5x6.00	17.5x6.00
		215/75R17.5	215/75R17.5	On Road	Traction	17.5x6.00	17.5x6.00

#### NOTES

Weights are to standard specification and include water, oils, 5 litres of AdBlue and 20 litres of fuel but excludes driver. Kerb weights are subject to a manufacturing tolerance of +/-5%. A sleeper cab standard roof adds 100kgs (70/30kgs) to the kerb weight. A high roof sleeper cab adds 160kgs (120/40kgs) to the kerb weight and 665mm to overall height.

July 2006

# IVECO

## EURO CARGO

### 75E18S 4x2 Rigid



<b>ENGINE</b>	Iveco tector turbocharged and intercooled
Cylinders	4
Bore (mm)	102
Stroke (mm)	120
Capacity (litres)	3.92
Power (PS/kW) @ rpm	177/130 2700
Torque (Nm/lbft) @ rpm	570/420 1250 - 2100
Rating	Euro 4 or Euro 5
Governor	All speed
Cooling fan	Viscodynamic
Fuel system	Bosch common rail
Exhaust	SCR catalyst system
Speed limiter	Driver programmable to 125kph
Engine immobiliser	Standard
Cruise control	Standard
<b>GEARBOXES</b>	ZF S5-42                      Iveco 2855B.6
1 <sup>st</sup>	4.65                              6.34
2 <sup>nd</sup>	2.60                              3.64
3 <sup>rd</sup>	1.53                              2.31
4 <sup>th</sup>	1.00                              1.48
5 <sup>th</sup>	0.77                              1.00
6 <sup>th</sup>	
Rev	4.35                              5.46
<b>PERFORMANCE</b>	
<b>ZF S5-42 gearbox</b>	
Axle ratios available	<b>3.91</b> 3.58    4.30    4.56    5.125
Geared speed (mph)	<b>77</b> 84    70    66    59
Gradeability % @ GVW	<b>37</b> 33    40+    40+    40+
Gradeability % @ 11000 kg GTW	<b>24</b> 22    27    28    32
<b>Iveco 2855B.6 gearbox</b>	
Axle ratios available	<b>3.58</b> 3.91    4.30    4.56    5.125
Geared speed (mph)	<b>83</b> 76    69    65    58
Gradeability % @ GVW	<b>40+</b> 40+    40+    40+    40+
Gradeability % @ 11000 kg GTW	<b>31</b> 34    38    40+    40+
Gradeability % @ 16500 kg GTW	<b>20</b> 22    24    26    29
<b>CLUTCH</b>	
Type	Single plate, diaphragm spring, pull type, asbestos free
Diameter (mm)	350
<b>BRAKES</b>	
Type	Vertically split air/hydraulic
Front	304 mm diameter ventilated disc
Rear	304 mm diameter ventilated disc
ABS system	Standard Bosch Cat 1
Parking	Spring parking brake
Exhaust brake	Standard (multi function)
Compressor	225cc
Air dryer	Standard
<b>CHASSIS</b>	
Type	Ladder construction with pressed steel side members and riveted and bolted cross members
<b>Wheelbases (mm)</b>	<b>Depth (mm)</b> <b>Flange width (mm)</b>
3105-4455	181                                      65
4815	183                                      65
Front underrun	Optional

**FUEL TANK**  
Type 115 litres plastic. Locking fuel cap

**ADBLUE TANK**  
Type 25 litres, plastic. Locking cap

**ELECTRICS**  
Type 24v negative earth return  
Alternator 28v, 70A  
Starter 24v, 4.0kW  
Battery 2 x 12v, 110Ah  
All circuits protected by fuses  
CAN line data bus system

**SUSPENSION**  
Front Parabolic leaf  
Rear Parabolic leaf  
Anti-roll bar Front and rear  
Shock absorbers Front and rear

**STEERING**  
Type Power assisted  
Ratio 18.3 – 26.3

**AXLES**  
Front Iveco 5833/1 I-beam  
Rear Iveco 450617 Hypoid  
Diff lock Optional  
Standard ratios ZF S5-42 Gearbox - 3.91  
Iveco 2855B.6 Gearbox – 3.58

**CAB INTERIOR**  
**Day Cab:**  
Forward control MLC day cab. 3-way adjustable driver's seat. Dual fixed passenger seat with 50/50 split back rest incorporating can holders and tray on reverse side. Seatbelts to all seats. Overhead lockers with doors. Windowless rear cab wall with document net. Enclosed glove box. 4-speed fan air flow up to 500m3/hr. 10kw output. All gauges monitored using international symbols. Automatic electronic 2-man digital 24hr tachograph with dual scale instrumentation. Left and right hand entry assist handles. Fully adjustable steering column. Dash mounted gear lever. Column mounted control stalks. Overhead console for radio/CB. Courtesy and map reading lights. Engine immobiliser.

**Sleeper Cab:**  
Forward control MLL sleeper cab. Passenger seat - single two way adjustable. Opening roof vent, external stowage for tools, single low level bunk and curtains to enclose entire cab area.

**High Roof Sleeper Cab Option:**  
As sleeper cab plus increased interior height, extra storage space in enclosed and open lockers and rear shelf. Electric roof hatch.

**CAB EXTERIOR**  
**Day Cab:**  
Suspension – rubber blocks and dampers. Hydraulic tilt to 60 deg. Pressed steel construction with SMC for vulnerable parts. Electric door windows and laminated screen. Rear view mirrors to EEC 2003/97 and 2005/27, including 2 wide angle and 1 kerb view mirror.

**Sleeper Cab:**  
Exterior as day cab.